

<b>CONTRACTOR:</b>	
<b>PROJECT:</b>	<b>DATE:</b>
<b>PREPARED BY:</b>	<b>MODEL#:</b> TL4LED103K/ICR

## SERIES SPECIFICATIONS

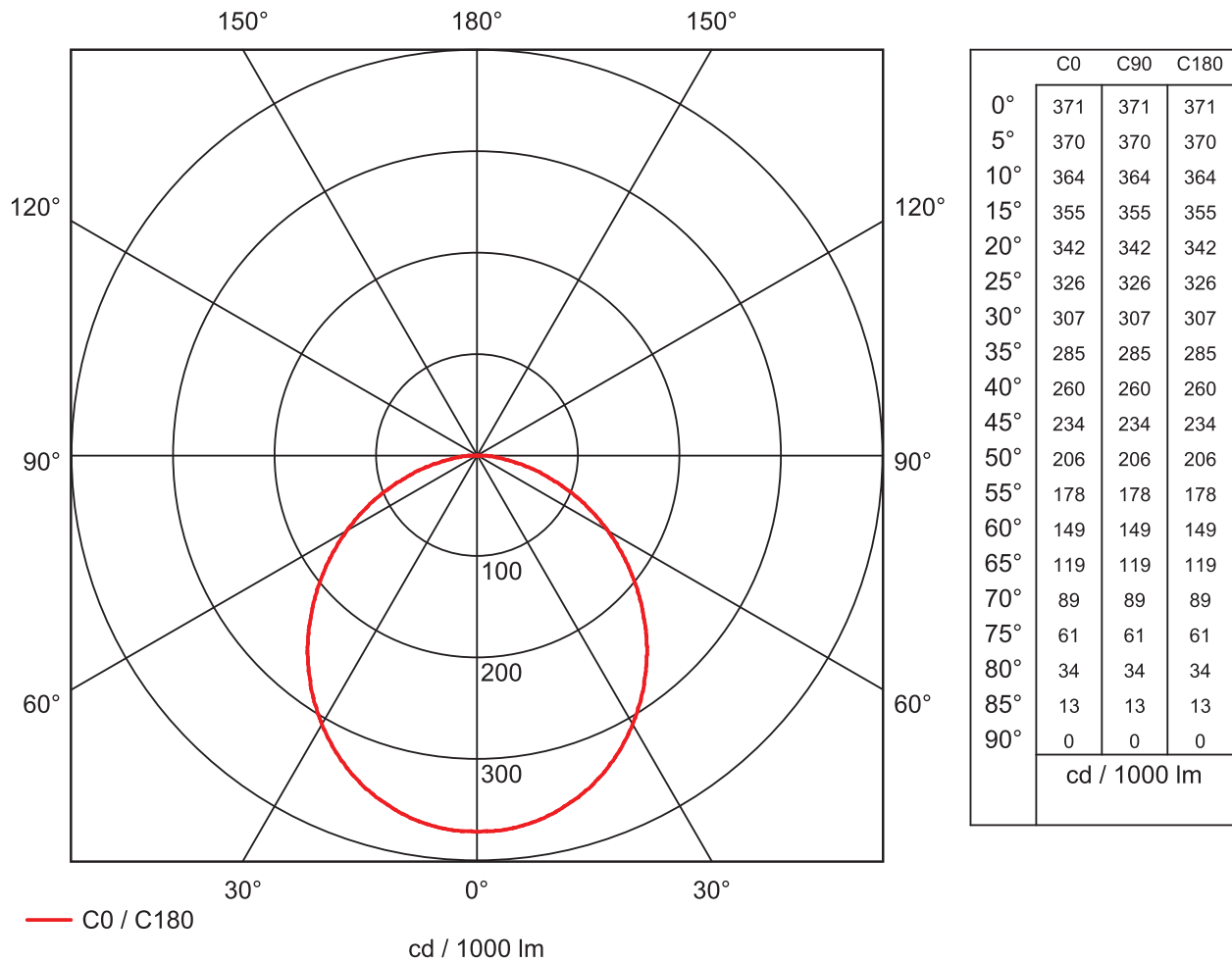


To supply and install TamLite LYRA series of LED fixtures as specified. The luminaire shall operate at 120 VAC and use a TRIAC dimmable, constant current type Integral driver. The housing shall be constructed of die cast aluminum finished with a textured powder coat over a chromate conversion coat. All hardware to be stainless steel. Wiring compartment to be Integral with hinged wiring cover. Optics to be constructed of Acrylic and be sealed via captive gasket. Fixture shall be cULus and Energy Star approved.



## PERFORMANCE SPECIFICATIONS

FIG. 1 - Luminance Distribution Chart



<b>CONTRACTOR:</b>		<b>DATE:</b>
<b>PROJECT:</b>		<b>MODEL#:</b> TL4LED103K/ICR
<b>PREPARED BY:</b>		

## PERFORMANCE SPECIFICATIONS

**FIG. 2 - Zonal Lumen Summary**

ZONE	PERCENTAGE	ZONE	PERCENTAGE	ZONE	PERCENTAGE
0-5	0.9%	60-65	6.5%	120-125	0.0%
5-10	2.6%	65-70	5.3%	125-130	0.0%
10-15	4.3%	70-75	3.9%	130-135	0.0%
15-20	5.7%	75-80	2.5%	135-140	0.0%
20-25	7.0%	80-85	1.3%	140-145	0.0%
25-30	8.0%	85-90	0.3%	145-150	0.0%
30-35	8.7%	90-95	0.0%	150-155	0.0%
35-40	9.1%	95-100	0.0%	155-160	0.0%
40-45	9.2%	100-105	0.0%	160-165	0.0%
45-50	8.9%	105-110	0.0%	165-170	0.0%
50-55	8.3%	110-115	0.0%	170-175	0.0%
55-60	7.5%	115-120	0.0%	175-180	0.0%

**Initial Lumen Output:** 822.0 lm  
**Efficacy:** 80.7 lm/W  
**Spacing Criteria:** 1.23 (C0/180),  
 1.23 (C90/270)

**UL Classification:** Wet Location Listed,  
 IC Rated, Air Tight  
**Operating Temp:** -20°C to 40°C

**Certification Standards:** cULus,  
 Energy Star  
**Limited Product Warranty:** 10 Years

**FIG. 3 - Co-efficient of Utilization**

**Effective Floor Cavity Reflectance - 0.20**

pCC	80				70				50			30			10			0
	70	50	30	10	70	50	30	10	50	30	10	50	30	10	50	30	10	0
<b>RCR</b>																		
0	980	980	980	980	957	957	957	957	914	914	914	875	875	875	840	840	840	823
1	897	858	824	793	875	840	808	780	805	779	755	773	752	732	743	726	710	693
2	817	750	695	648	795	734	684	640	705	662	625	678	643	611	653	624	598	580
3	745	660	593	540	725	647	585	535	622	569	526	599	555	517	578	540	508	490
4	683	585	514	459	664	574	507	456	554	495	449	534	484	443	517	473	437	419
5	628	523	450	396	611	514	445	394	497	436	389	481	427	385	465	419	381	364
6	581	472	399	346	565	464	395	345	449	387	342	435	380	338	422	374	335	319
7	539	428	356	306	524	421	353	305	409	347	303	397	342	301	386	336	298	282
8	502	391	321	273	489	385	319	273	374	314	271	364	309	269	354	305	268	252
9	469	359	292	246	457	354	290	246	345	286	244	336	282	243	327	278	242	227
10	440	331	267	224	429	327	265	223	319	262	222	311	258	221	304	255	220	206

CONTRACTOR:	
PROJECT:	DATE:
PREPARED BY:	MODEL#: TL4LED103K/ICR

## LED SPECIFICATIONS

**CRI:** 83.0  
**Rf:** 81.9  
**Rg:** 94.9

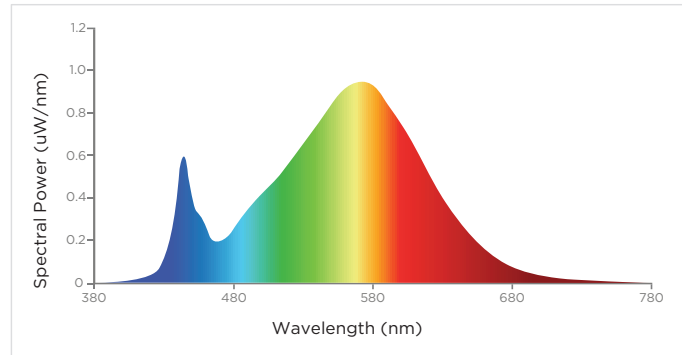
**Average Life:**  $L_{70} = 36,000$  hrs  
**Colour Temperature:** 3000K (Nominal)  
**Chromaticity:**  $x = 0.4404; y = 0.4025$

**DUV:** -0.0014  
**Dimming:** Triac  
**Beam Angle:** 107°

**FIG. 4 - Colour Rendering Indices**

R1	81	R8	62
R2	92	R9	16
R3	96	R10	82
R4	78	R11	80
R5	81	R12	68
R6	89	R13	84
R7	83	R14	99

**FIG. 5 - Spectral Power Distribution**



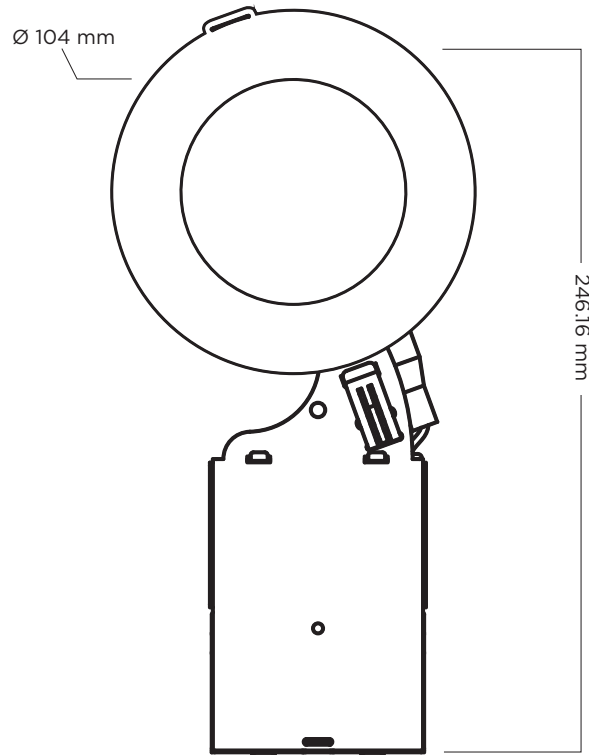
## ELECTRICAL SPECIFICATIONS

**Voltage:** 120-277 VAC  
**Frequency:** 60 Hz

**Fixture Draw:** 10.19W  
**Current Draw:** 0.0870A

**Power Factor:** 0.98  
**THD (%):** 15.8%

## LINE DRAWING



<b>CONTRACTOR:</b>	
<b>PROJECT:</b>	<b>DATE:</b>
<b>PREPARED BY:</b>	<b>MODEL#:</b> TL4LED103K/ICR

## PHYSICAL SPECIFICATIONS

**Colour(s):** White (WH),

Satin Nickel (SN)

**Junction Box Material:** SECC Steel

**Lens Material:** UV Stabilized Acrylic

**Housing Material:** Die-Cast Aluminum

**Lens Material:** UV Stabilized Acrylic

**Cutout Diameter:** 105mm - 4.12"

**Required Plenum Depth:** 89mm - 3.50"

## ORDERING INFORMATION

**Part Number:** TL4LED103K/ICR

**Box Quantity:** 2

**Box Length:** 330mm - 13.00"

**Box Width:** 179mm - 7.04"

**Box Height:** 137mm - 5.40"

**Box Weight:** 0.98kg - 2.16lbs

**Carton Quantity:** 6

**Carton Length:** 550mm - 21.65"

**Carton Width:** 340mm - 13.38"

**Carton Height:** 155mm - 6.10"

**Carton Weight:** 2.94kg - 6.48lbs

<b>CONTRACTOR:</b>	
<b>PROJECT:</b>	<b>DATE:</b>
<b>PREPARED BY:</b>	<b>MODEL#:</b> TL4LED104K/ICR

## SERIES SPECIFICATIONS

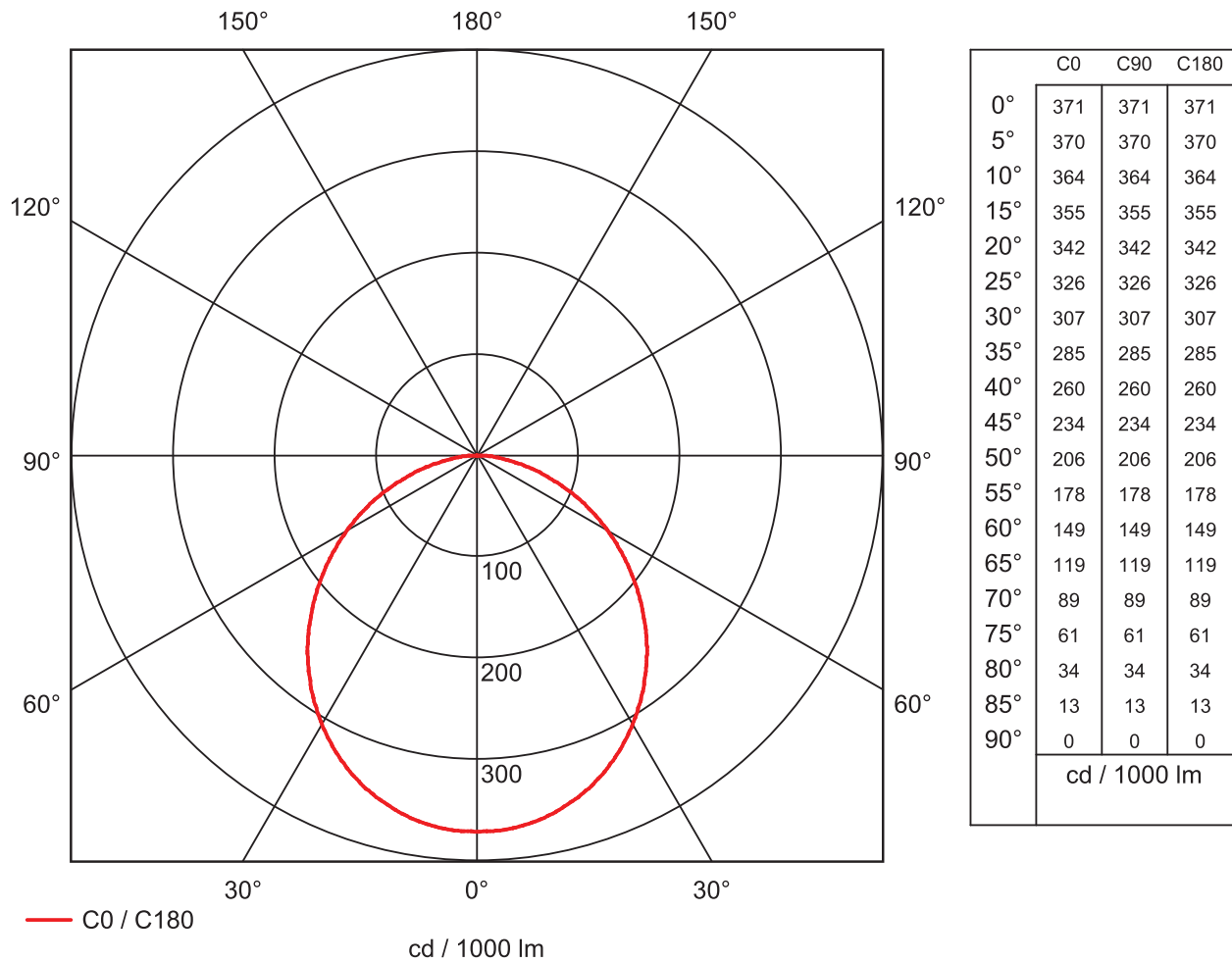


To supply and install TamLite LYRA series of LED fixtures as specified. The luminaire shall operate at 120 VAC and use a TRIAC dimmable, constant current type Integral driver. The housing shall be constructed of die cast aluminum finished with a textured powder coat over a chromate conversion coat. All hardware to be stainless steel. Wiring compartment to be Integral with hinged wiring cover. Optics to be constructed of Acrylic and be sealed via captive gasket. Fixture shall be cULus and Energy Star approved.



## PERFORMANCE SPECIFICATIONS

FIG. 1 - Luminance Distribution Chart



<b>CONTRACTOR:</b>		<b>DATE:</b>
<b>PROJECT:</b>		<b>MODEL#:</b> TL4LED104K/ICR
<b>PREPARED BY:</b>		

## PERFORMANCE SPECIFICATIONS

**FIG. 2 - Zonal Lumen Summary**

ZONE	PERCENTAGE	ZONE	PERCENTAGE	ZONE	PERCENTAGE
0-5	0.9%	60-65	6.5%	120-125	0.0%
5-10	2.6%	65-70	5.3%	125-130	0.0%
10-15	4.3%	70-75	3.9%	130-135	0.0%
15-20	5.7%	75-80	2.5%	135-140	0.0%
20-25	7.0%	80-85	1.3%	140-145	0.0%
25-30	8.0%	85-90	0.3%	145-150	0.0%
30-35	8.7%	90-95	0.0%	150-155	0.0%
35-40	9.1%	95-100	0.0%	155-160	0.0%
40-45	9.2%	100-105	0.0%	160-165	0.0%
45-50	8.9%	105-110	0.0%	165-170	0.0%
50-55	8.3%	110-115	0.0%	170-175	0.0%
55-60	7.5%	115-120	0.0%	175-180	0.0%

**Initial Lumen Output:** 822.0 lm  
**Efficacy:** 80.7 lm/W  
**Spacing Criteria:** 1.23 (C0/180),  
 1.23 (C90/270)

**UL Classification:** Wet Location Listed,  
 IC Rated, Air Tight  
**Operating Temp:** -20°C to 40°C

**Certification Standards:** cULus,  
 Energy Star  
**Limited Product Warranty:** 10 Years

**FIG. 3 - Co-efficient of Utilization**

**Effective Floor Cavity Reflectance - 0.20**

pCC	80				70				50			30			10			0
	70	50	30	10	70	50	30	10	50	30	10	50	30	10	50	30	10	0
<b>RCR</b>																		
0	980	980	980	980	957	957	957	957	914	914	914	875	875	875	840	840	840	823
1	897	858	824	793	875	840	808	780	805	779	755	773	752	732	743	726	710	693
2	817	750	695	648	795	734	684	640	705	662	625	678	643	611	653	624	598	580
3	745	660	593	540	725	647	585	535	622	569	526	599	555	517	578	540	508	490
4	683	585	514	459	664	574	507	456	554	495	449	534	484	443	517	473	437	419
5	628	523	450	396	611	514	445	394	497	436	389	481	427	385	465	419	381	364
6	581	472	399	346	565	464	395	345	449	387	342	435	380	338	422	374	335	319
7	539	428	356	306	524	421	353	305	409	347	303	397	342	301	386	336	298	282
8	502	391	321	273	489	385	319	273	374	314	271	364	309	269	354	305	268	252
9	469	359	292	246	457	354	290	246	345	286	244	336	282	243	327	278	242	227
10	440	331	267	224	429	327	265	223	319	262	222	311	258	221	304	255	220	206

<b>CONTRACTOR:</b>	
<b>PROJECT:</b>	<b>DATE:</b>
<b>PREPARED BY:</b>	<b>MODEL#:</b> TL4LED104K/ICR

## LED SPECIFICATIONS

**CRI:** 83.0  
**Rf:** 81.9  
**Rg:** 94.9

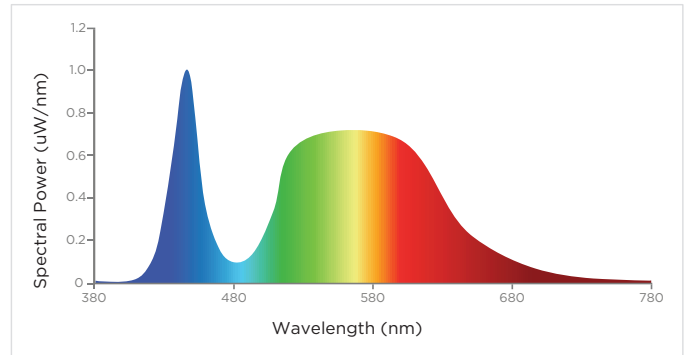
**Average Life:**  $L_{70} = 36,000$  hrs  
**Colour Temperature:** 4000K (Nominal)  
**Chromaticity:**  $x = 0.4404; y = 0.4025$

**DUV:** -0.0014  
**Dimming:** Triac  
**Beam Angle:** 107°

**FIG. 4 - Colour Rendering Indices**

R1	81	R8	62
R2	92	R9	16
R3	96	R10	82
R4	78	R11	80
R5	81	R12	68
R6	89	R13	84
R7	83	R14	99

**FIG. 5 - Spectral Power Distribution**



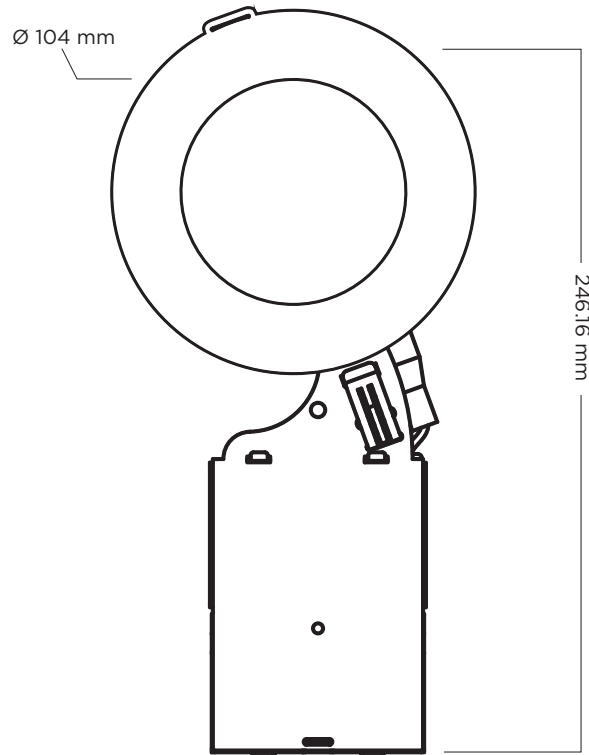
## ELECTRICAL SPECIFICATIONS

**Voltage:** 120-277 VAC  
**Frequency:** 60 Hz

**Fixture Draw:** 10.19W  
**Current Draw:** 0.0870A

**Power Factor:** 0.98  
**THD (%):** 15.8%

## LINE DRAWING



<b>CONTRACTOR:</b>	
<b>PROJECT:</b>	<b>DATE:</b>
<b>PREPARED BY:</b>	<b>MODEL#:</b> TL4LED104K/ICR

## PHYSICAL SPECIFICATIONS

**Colour(s):** White (WH),  
Satin Nickel (SN)

**Junction Box Material:** SECC Steel

**Lens Material:** UV Stabilized Acrylic

**Housing Material:** Die-Cast Aluminum

**Lens Material:** UV Stabilized Acrylic

**Cutout Diameter:** 105mm - 4.12"

**Required Plenum Depth:** 89mm - 3.50"

## ORDERING INFORMATION

**Part Number:** TL4LED104K/ICR

**Box Quantity:** 2

**Box Length:** 330mm - 13.00"

**Box Width:** 179mm - 7.04"

**Box Height:** 137mm - 5.40"

**Box Weight:** 0.98kg - 2.16lbs

**Carton Quantity:** 6

**Carton Length:** 550mm - 21.65"

**Carton Width:** 340mm - 13.38"

**Carton Height:** 155mm - 6.10"

**Carton Weight:** 2.94kg - 6.48lbs



<b>CONTRACTOR:</b>	
<b>PROJECT:</b>	<b>DATE:</b>
<b>PREPARED BY:</b>	<b>MODEL#:</b> TL6LED143K/ICR

## SERIES SPECIFICATIONS

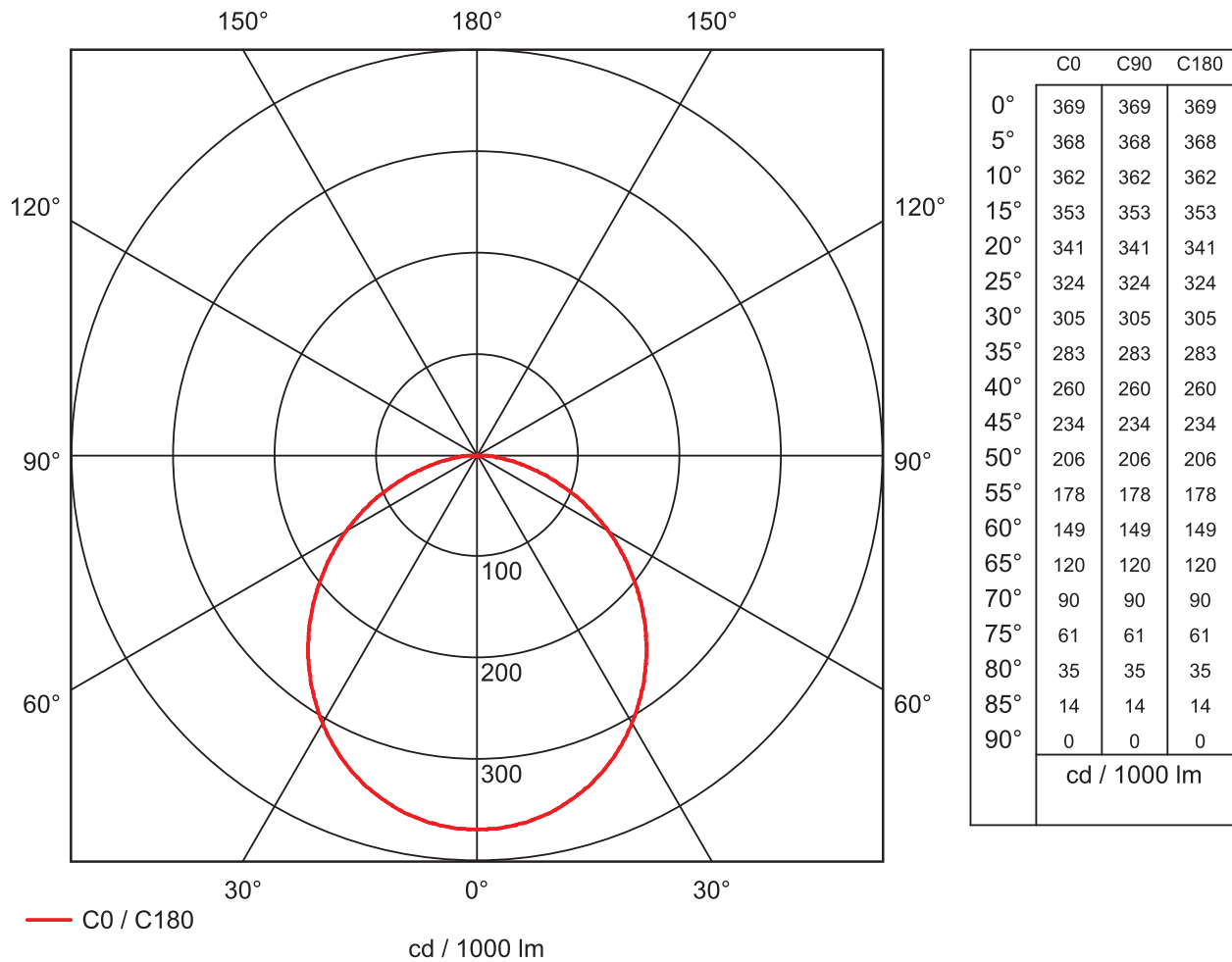


To supply and install TamLite LYRA series of LED fixtures as specified. The luminaire shall operate at 120 VAC and use a TRIAC dimmable, constant current type Integral driver. The housing shall be constructed of die cast aluminum finished with a textured powder coat over a chromate conversion coat. All hardware to be stainless steel. Wiring compartment to be Integral with hinged wiring cover. Optics to be constructed of Acrylic and be sealed via captive gasket. Fixture shall be cULus and Energy Star approved.



## PERFORMANCE SPECIFICATIONS

FIG. 1 - Luminance Distribution Chart



<b>CONTRACTOR:</b>		<b>DATE:</b>
<b>PROJECT:</b>		<b>MODEL#:</b> TL6LED143K/ICR
<b>PREPARED BY:</b>		

## PERFORMANCE SPECIFICATIONS

**FIG. 2 - Zonal Lumen Summary**

ZONE	PERCENTAGE	ZONE	PERCENTAGE	ZONE	PERCENTAGE
0-5	0.9%	60-65	6.5%	120-125	0.0%
5-10	2.6%	65-70	5.3%	125-130	0.0%
10-15	4.2%	70-75	4.0%	130-135	0.0%
15-20	5.7%	75-80	2.6%	135-140	0.0%
20-25	7.0%	80-85	1.3%	140-145	0.0%
25-30	8.0%	85-90	0.3%	145-150	0.0%
30-35	8.7%	90-95	0.0%	150-155	0.0%
35-40	9.1%	95-100	0.0%	155-160	0.0%
40-45	9.1%	100-105	0.0%	160-165	0.0%
45-50	8.9%	105-110	0.0%	165-170	0.0%
50-55	8.3%	110-115	0.0%	170-175	0.0%
55-60	7.6%	115-120	0.0%	175-180	0.0%

**Initial Lumen Output:** 1162.0 lm  
**Efficacy:** 84.9 lm/W  
**Spacing Criteria:** 1.23 (C0/180),  
 1.23 (C90/270)

**UL Classification:** Wet Location Listed,  
 IC Rated, Air Tight  
**Operating Temp:** -20°C to 40°C

**Certification Standards:** cULus,  
 Energy Star  
**Limited Product Warranty:** 10 Years

**FIG. 3 - Co-efficient of Utilization**

**Effective Floor Cavity Reflectance - 0.20**

pCC	80				70				50			30			10			0
	70	50	30	10	70	50	30	10	50	30	10	50	30	10	50	30	10	0
<b>RCR</b>																		
0	1383	1383	1383	1383	1351	1351	1351	1351	1291	1291	1291	1236	1236	1236	1186	1186	1186	1162
1	1266	1211	1162	1118	1234	1185	1140	1100	1136	1099	1065	1090	1060	1033	1048	1024	1002	978
2	1152	1058	979	913	1122	1036	964	902	995	934	881	957	906	861	921	879	842	817
3	1051	930	836	761	1023	912	824	754	877	802	741	845	781	728	815	761	715	690
4	963	825	724	646	937	809	715	642	780	698	633	753	682	624	728	666	616	590
5	886	738	634	557	862	725	627	554	700	614	548	677	601	542	656	589	536	512
6	819	665	561	487	797	654	556	485	633	546	481	613	536	476	595	526	472	448
7	760	603	502	431	739	594	497	429	576	489	426	559	481	423	543	473	420	397
8	707	551	452	385	689	543	449	383	527	442	381	513	435	379	499	429	376	354
9	661	506	411	346	645	499	408	346	486	402	344	473	397	342	461	391	340	319
10	620	467	375	314	605	461	373	314	449	368	312	438	364	311	428	359	309	289

<b>CONTRACTOR:</b>	
<b>PROJECT:</b>	<b>DATE:</b>
<b>PREPARED BY:</b>	<b>MODEL#:</b> TL6LED143K/ICR

## LED SPECIFICATIONS

**CRI:** 83.0  
**Rf:** 82.0  
**Rg:** 95.0

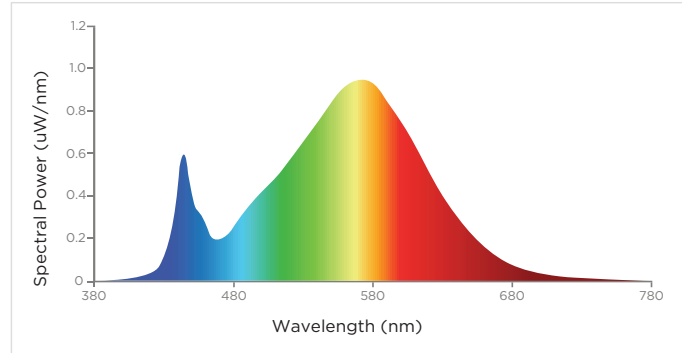
**Average Life:**  $L_{70} = 36,000$  hrs  
**Colour Temperature:** 3000K (Nominal)  
**Chromaticity:**  $x = 0.4384; y = 0.4019$

**DUV:** -0.0013  
**Dimming:** Triac  
**Beam Angle:** 107°

**FIG. 4 - Colour Rendering Indices**

R1	81	R8	62
R2	92	R9	16
R3	96	R10	82
R4	79	R11	80
R5	81	R12	67
R6	89	R13	84
R7	83	R14	99

**FIG. 5 - Spectral Power Distribution**



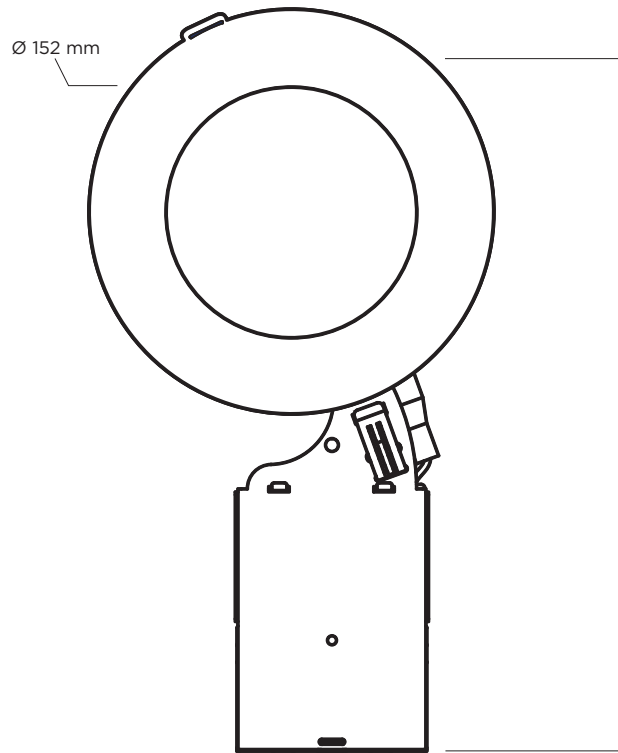
## ELECTRICAL SPECIFICATIONS

**Voltage:** 120-277 VAC  
**Frequency:** 60 Hz

**Fixture Draw:** 13.68W  
**Current Draw:** 0.1150A

**Power Factor:** 0.98  
**THD (%):** 11.1%

## LINE DRAWING



<b>CONTRACTOR:</b>	
<b>PROJECT:</b>	<b>DATE:</b>
<b>PREPARED BY:</b>	<b>MODEL#:</b> TL6LED143K/ICR

## PHYSICAL SPECIFICATIONS

**Colour(s):** White (WH),  
Satin Nickel (SN)

**Junction Box Material:** SECC Steel

**Lens Material:** UV Stabilized Acrylic

**Housing Material:** Die-Cast Aluminum

**Lens Type:** Frosted Lens

**Cutout Diameter:** 155mm - 6.12"

**Required Plenum Depth:** 89mm - 3.50"

## ORDERING INFORMATION

**Part Number:** TL6LED143K/ICR

**Box Quantity:** 2

**Box Length:** 380mm - 14.96"

**Box Width:** 179mm - 7.04"

**Box Height:** 187mm - 7.36"

**Box Weight:** 1.28kg - 2.82lbs

**Carton Quantity:** 6

**Carton Length:** 550mm - 21.65"

**Carton Width:** 390mm - 15.35"

**Carton Height:** 205mm - 8.07"

**Carton Weight:** 3.84kg - 8.46lbs

<b>CONTRACTOR:</b>	
<b>PROJECT:</b>	<b>DATE:</b>
<b>PREPARED BY:</b>	<b>MODEL#:</b> TL6LED144K/ICR

## SERIES SPECIFICATIONS

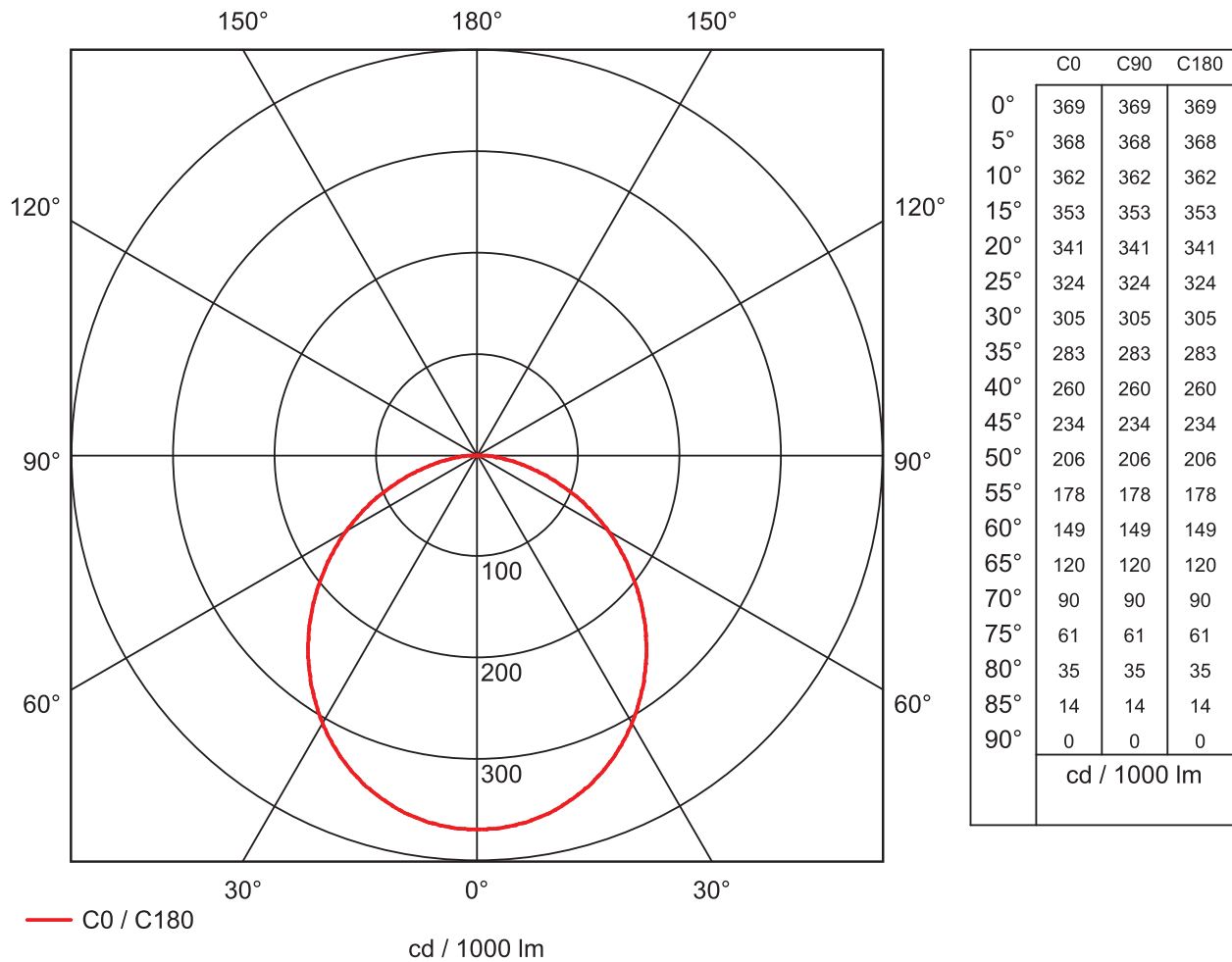


To supply and install TamLite LYRA series of LED fixtures as specified. The luminaire shall operate at 120 VAC and use a TRIAC dimmable, constant current type Integral driver. The housing shall be constructed of die cast aluminum finished with a textured powder coat over a chromate conversion coat. All hardware to be stainless steel. Wiring compartment to be Integral with hinged wiring cover. Optics to be constructed of Acrylic and be sealed via captive gasket. Fixture shall be cULus and Energy Star approved.



## PERFORMANCE SPECIFICATIONS

FIG. 1 - Luminance Distribution Chart



<b>CONTRACTOR:</b>		<b>DATE:</b>
<b>PROJECT:</b>		<b>MODEL#:</b> TL6LED144K/ICR
<b>PREPARED BY:</b>		

## PERFORMANCE SPECIFICATIONS

**FIG. 2 - Zonal Lumen Summary**

ZONE	PERCENTAGE	ZONE	PERCENTAGE	ZONE	PERCENTAGE
0-5	0.9%	60-65	6.5%	120-125	0.0%
5-10	2.6%	65-70	5.3%	125-130	0.0%
10-15	4.2%	70-75	4.0%	130-135	0.0%
15-20	5.7%	75-80	2.6%	135-140	0.0%
20-25	7.0%	80-85	1.3%	140-145	0.0%
25-30	8.0%	85-90	0.3%	145-150	0.0%
30-35	8.7%	90-95	0.0%	150-155	0.0%
35-40	9.1%	95-100	0.0%	155-160	0.0%
40-45	9.1%	100-105	0.0%	160-165	0.0%
45-50	8.9%	105-110	0.0%	165-170	0.0%
50-55	8.3%	110-115	0.0%	170-175	0.0%
55-60	7.6%	115-120	0.0%	175-180	0.0%

**Initial Lumen Output:** 1162.0 lm  
**Efficacy:** 84.9 lm/W  
**Spacing Criteria:** 1.23 (C0/180),  
 1.23 (C90/270)

**UL Classification:** Wet Location Listed,  
 IC Rated, Air Tight  
**Operating Temp:** -20°C to 40°C

**Certification Standards:** cULus,  
 Energy Star  
**Limited Product Warranty:** 10 Years

**FIG. 3 - Co-efficient of Utilization**

**Effective Floor Cavity Reflectance - 0.20**

pCC	80				70				50			30			10			0
	70	50	30	10	70	50	30	10	50	30	10	50	30	10	50	30	10	0
<b>RCR</b>																		
0	1383	1383	1383	1383	1351	1351	1351	1351	1291	1291	1291	1236	1236	1236	1186	1186	1186	1162
1	1266	1211	1162	1118	1234	1185	1140	1100	1136	1099	1065	1090	1060	1033	1048	1024	1002	978
2	1152	1058	979	913	1122	1036	964	902	995	934	881	957	906	861	921	879	842	817
3	1051	930	836	761	1023	912	824	754	877	802	741	845	781	728	815	761	715	690
4	963	825	724	646	937	809	715	642	780	698	633	753	682	624	728	666	616	590
5	886	738	634	557	862	725	627	554	700	614	548	677	601	542	656	589	536	512
6	819	665	561	487	797	654	556	485	633	546	481	613	536	476	595	526	472	448
7	760	603	502	431	739	594	497	429	576	489	426	559	481	423	543	473	420	397
8	707	551	452	385	689	543	449	383	527	442	381	513	435	379	499	429	376	354
9	661	506	411	346	645	499	408	346	486	402	344	473	397	342	461	391	340	319
10	620	467	375	314	605	461	373	314	449	368	312	438	364	311	428	359	309	289

<b>CONTRACTOR:</b>	
<b>PROJECT:</b>	<b>DATE:</b>
<b>PREPARED BY:</b>	<b>MODEL#:</b> TL6LED144K/ICR

## LED SPECIFICATIONS

**CRI:** 83.0  
**Rf:** 82.0  
**Rg:** 95.0

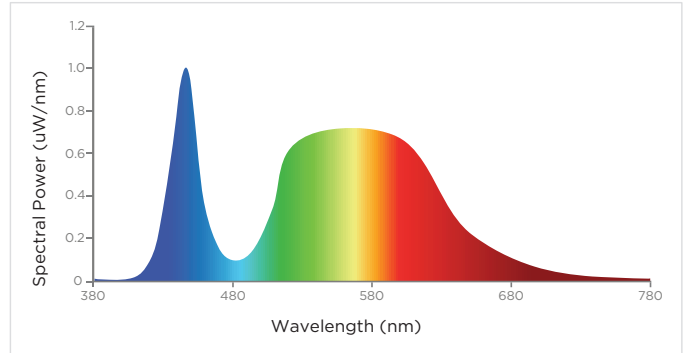
**Average Life:**  $L_{70} = 36,000$  hrs  
**Colour Temperature:** 4000K (Nominal)  
**Chromaticity:**  $x = 0.4384; y = 0.4019$

**DUV:** -0.0013  
**Dimming:** Triac  
**Beam Angle:** 107°

**FIG. 4 - Colour Rendering Indices**

R1	81	R8	62
R2	92	R9	16
R3	96	R10	82
R4	79	R11	80
R5	81	R12	67
R6	89	R13	84
R7	83	R14	99

**FIG. 5 - Spectral Power Distribution**



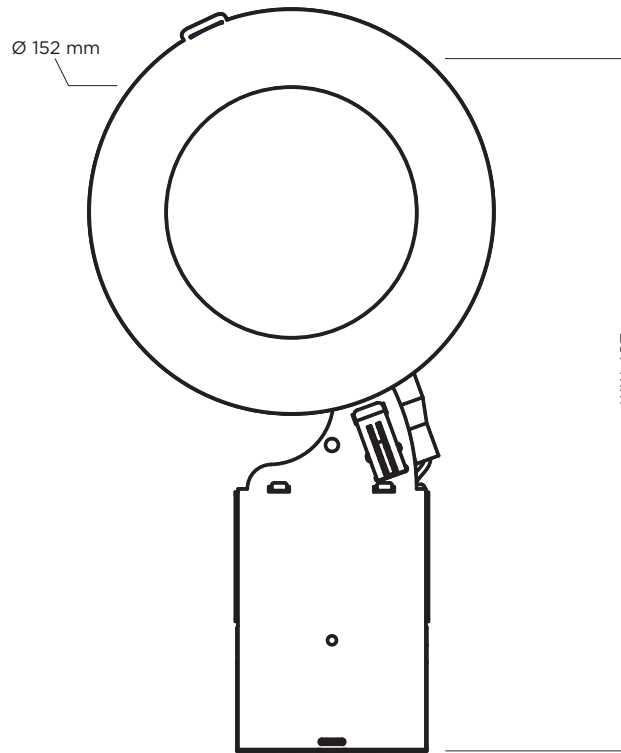
## ELECTRICAL SPECIFICATIONS

**Voltage:** 120-277 VAC  
**Frequency:** 60 Hz

**Fixture Draw:** 13.68W  
**Current Draw:** 0.1150A

**Power Factor:** 0.98  
**THD (%):** 11.1%

## LINE DRAWING



<b>CONTRACTOR:</b>	
<b>PROJECT:</b>	<b>DATE:</b>
<b>PREPARED BY:</b>	<b>MODEL#:</b> TL6LED144K/ICR

## PHYSICAL SPECIFICATIONS

**Colour(s):** White (WH),  
Satin Nickel (SN)

**Junction Box Material:** SECC Steel

**Lens Material:** UV Stabilized Acrylic

**Housing Material:** Die-Cast Aluminum

**Lens Type:** Frosted Lens

**Cutout Diameter:** 155mm - 6.12"

**Required Plenum Depth:** 89mm - 3.50"

## ORDERING INFORMATION

**Part Number:** TL6LED144K/ICR

**Box Quantity:** 2

**Box Length:** 380mm - 14.96"

**Box Width:** 179mm - 7.04"

**Box Height:** 187mm - 7.36"

**Box Weight:** 1.28kg - 2.82lbs

**Carton Quantity:** 6

**Carton Length:** 550mm - 21.65"

**Carton Width:** 390mm - 15.35"

**Carton Height:** 205mm - 8.07"

**Carton Weight:** 3.84kg - 8.46lbs